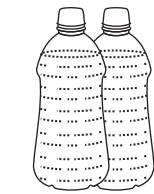


HEIGHT MIGHT

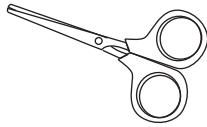
YOU NEED



Plastic Bottles



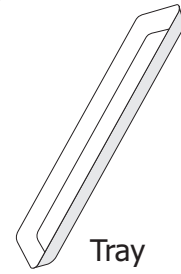
Stiff Straws



Scissors

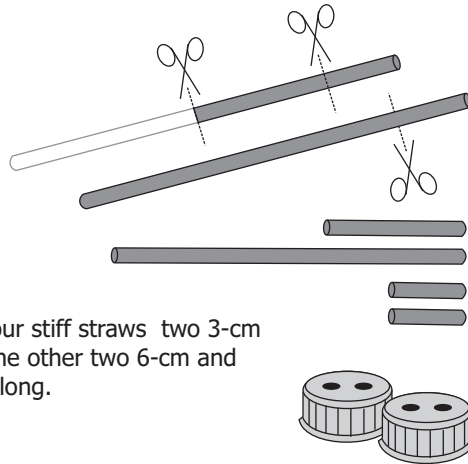


Rubber Glue



Tray

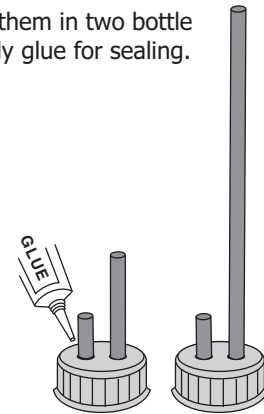
1



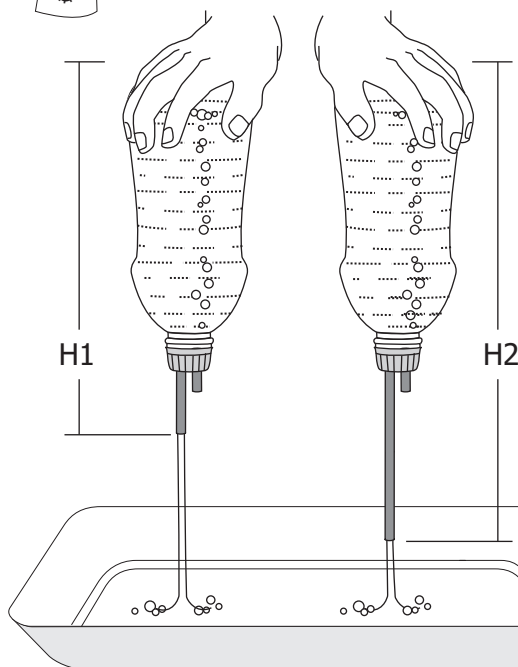
Take four stiff straws two 3-cm long, the other two 6-cm and 12-cm long.

2

Press fit them in two bottle lids. Apply glue for sealing.



3



Fill two bottles fully with water. Screw the lids and invert them simultaneously. Which bottle will drain out first? The left bottle has a head H_1 , while the right bottle has a head H_2 . The bottle with the greater head drains out first.

