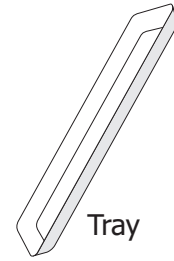
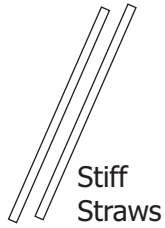
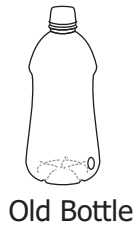
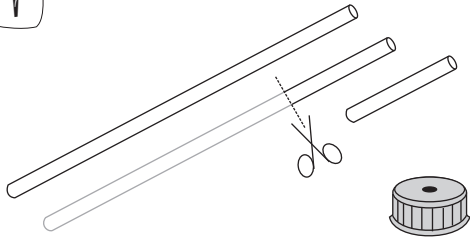


CONSTANT FLOW

YOU NEED

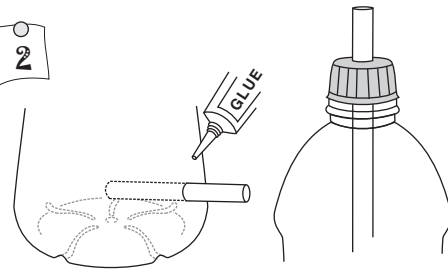


1



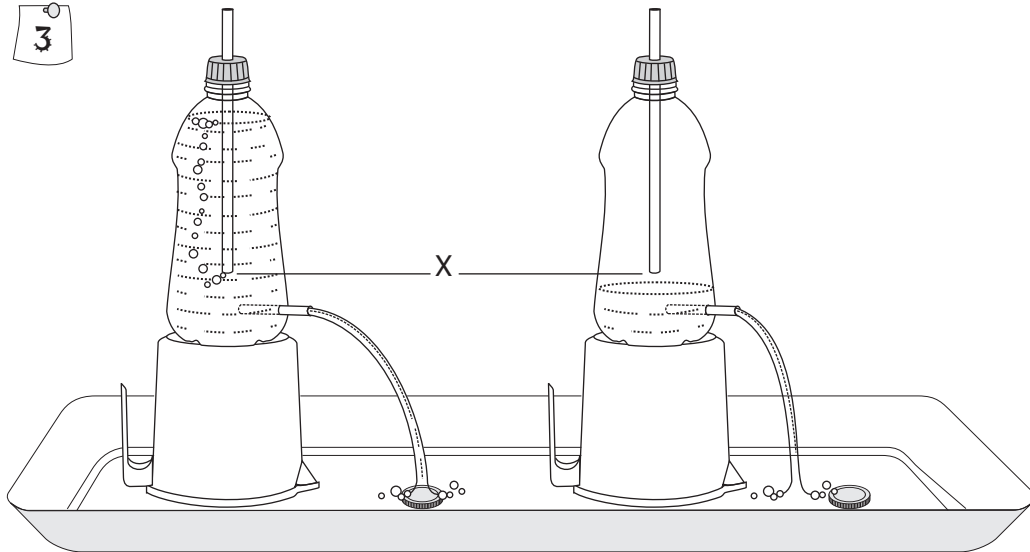
Take two stiff straws one long the other short.

2



Press fit the short straw near the bottle base and the long one in the lid. Apply glue to prevent leakage.

3



Place water filled bottle on a stand. Water will fall from the lower straw at a constant rate (on the COIN) until the "X" level. Below this level the water flow will reduce. This is because the air pressure at point "X" is the same as the air pressure outside.