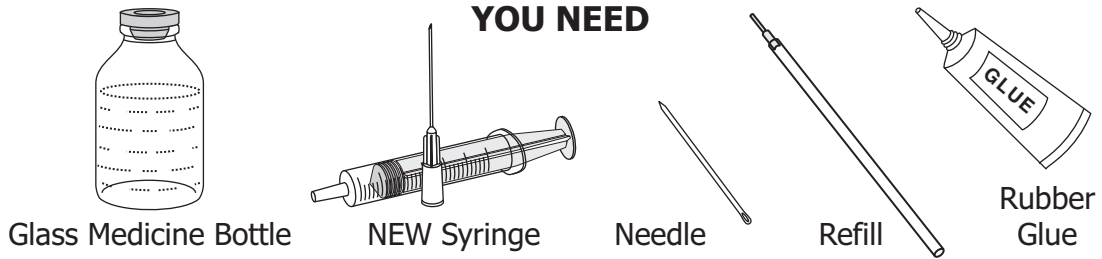
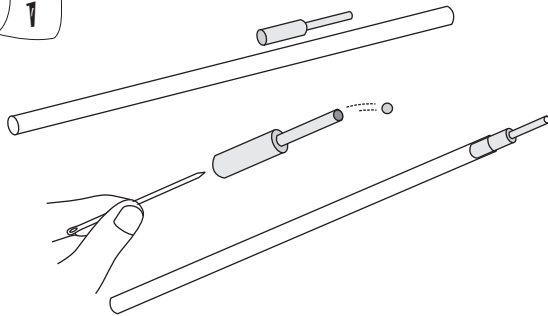


FOUNTAIN JET

YOU NEED

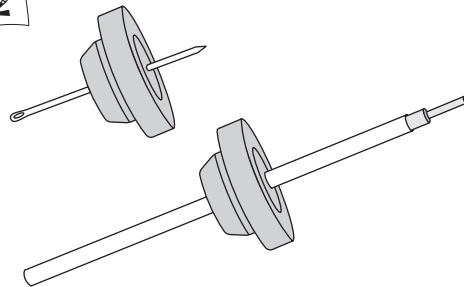


1



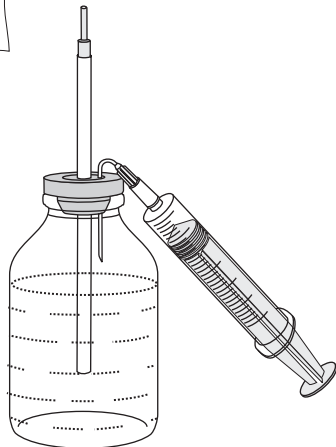
Remove the brass tip of an old ball pen refill. Push the ball out of the tip with a needle. Now the tip will have a jet like orifice.

2



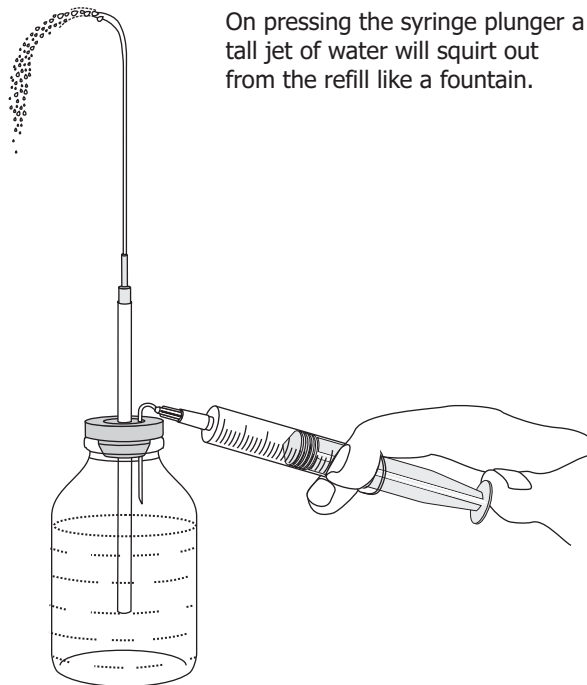
Make a hole in the rubber lid. Then press fit the ball point refill.

3



Fill the glass bottle with water and then fix its lid. Also bend and push the needle of a NEW syringe in the lid.

4



On pressing the syringe plunger a tall jet of water will squirt out from the refill like a fountain.