

BRaille CUBE

Visually impaired people can learn the Braille language with this wonderful cube. It is being manufactured by a charity *Vidya Vrikshah* based in Chennai and sold for just two rupees!

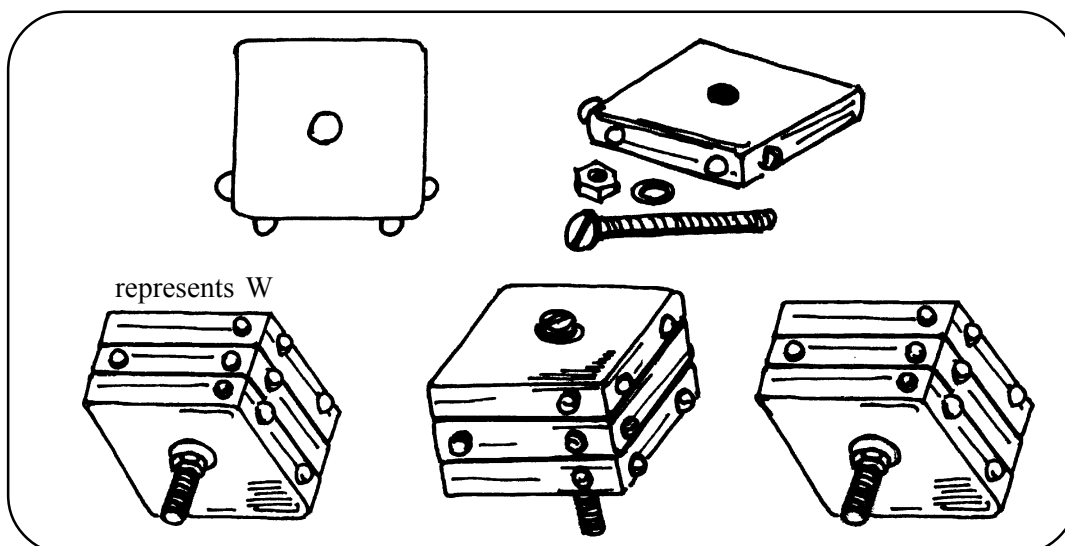
1. The device is similar to a Rubik's cube, but has different patterns of raised dots on its sides corresponding to the Braille representation of letters in any language. The raised dots appear in one or more of the six positions arranged in three columns of two rows on each side of the cube.

The cube consists of three segments which can be rotated about a common axis. Thus different dot patterns corresponding to different letters can be formed on its sides.

Thus each letter of the alphabet of any Indian language (or for matter any world language) can thus be represented on any one side of the cube.

The dot positions are numbered 1 to 6 and different patterns of dots on the cube and the letters to which they correspond are as seen in the pictures below.

With six dot positions, Braille admits of a maximum of 63 dot patterns, more than enough to represent for representing all the letters of any alphabet. All these can be formed on any side of the cube. With a ready chart containing the letters (and their dot patterns) any person can learn the use of the cube within an hour.



| | | | | | | | | | |
|----------|----------|----------|----------|----------|----------|----------|----------|----------|----------|
| | | | | | | | | | |
| a | b | c | d | e | f | g | h | i | j |
| | | | | | | | | | |
| k | l | m | n | o | p | q | r | s | t |
| | | | | | | | | | |
| u | v | w | x | y | z | | | | |

More details can be found at: <http://www.vidyavrikshah.org>