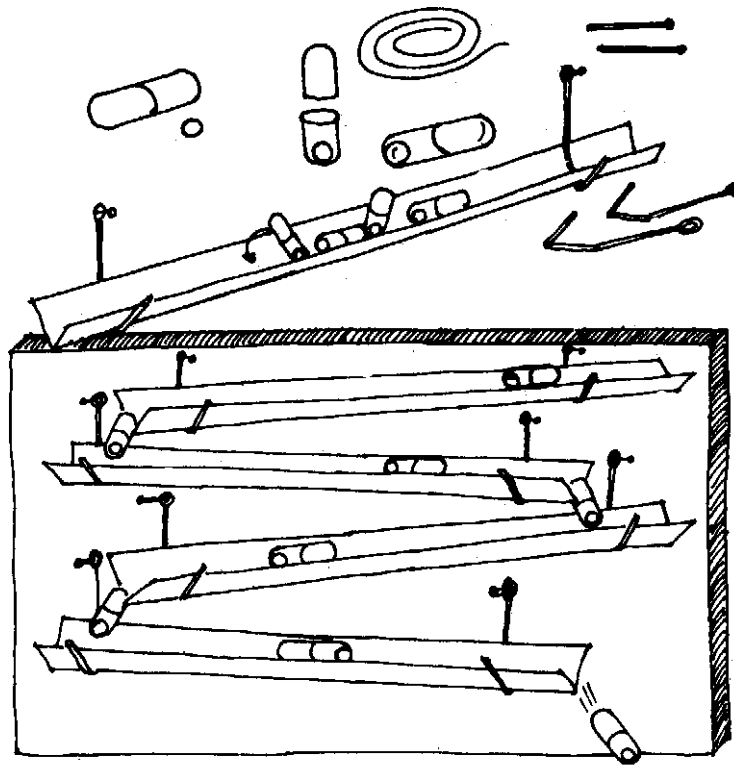


TUMBLING CAPSULE



Empty medicine capsules can be used, or else take an old capsule, slide open its two halves and empty out its contents. Place a cycle steel ball in one half of the capsule and then close its lid. Fold a long card strip in the middle to form a V-shaped channel. Place the capsule in the channel. On tilting the channel, the capsule somersaults and rolls from the higher to the lower level. Use wire hooks to affix several V-shaped channels on a vertical soft board. The slopes of the channel should be just enough to make the capsule roll. On placing the capsule on the high end of the top channel, it rolls down into the second, then the third and finally down the fourth channel. The track can be made longer by adding more channels. The capsule tumbles on because of its shifting centre of gravity. Its rolling motion is very intriguing and provides you hours of fun.