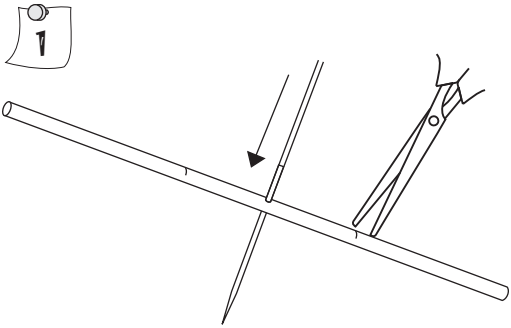
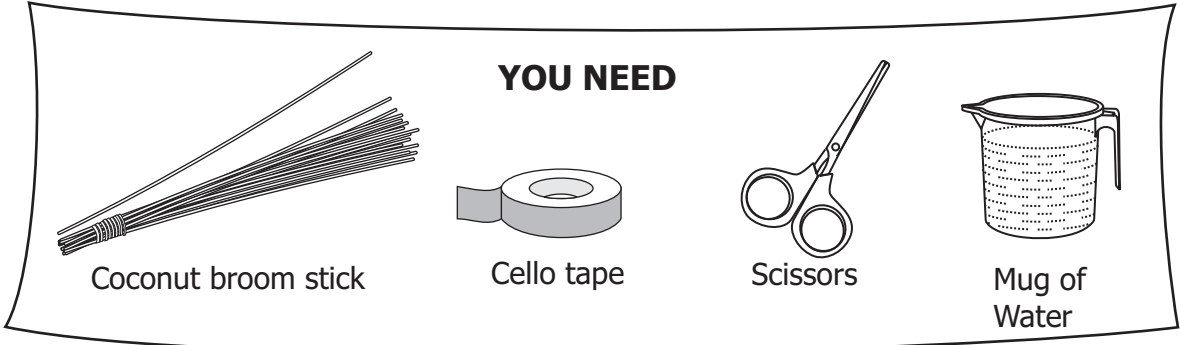
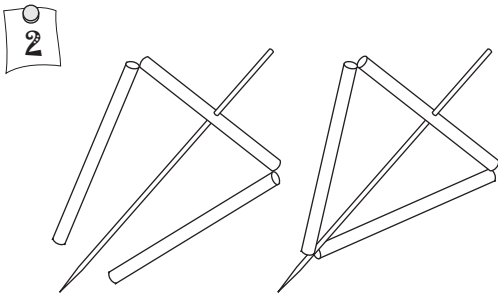


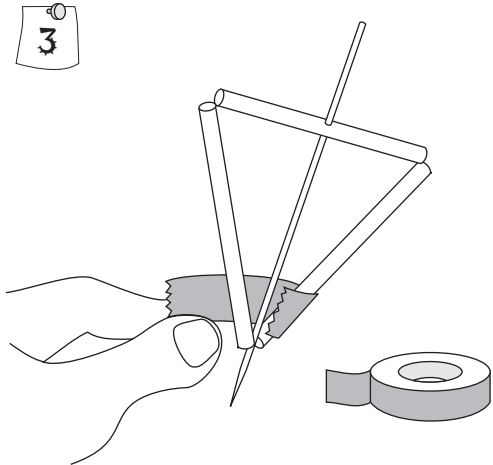
# STRAW SPRINKLER



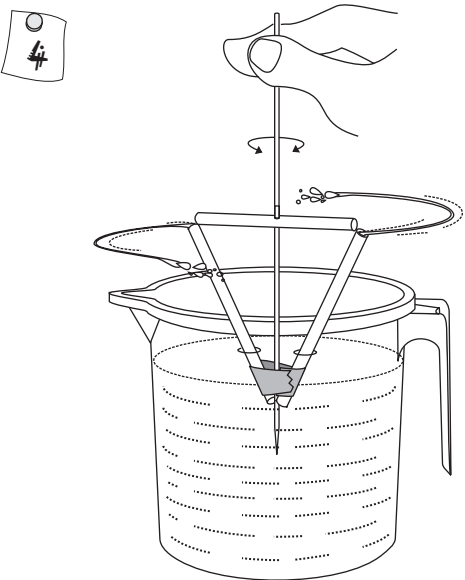
Poke the stick at right angles in the center of the straw. Mark two points 2-cm from the center and make half cuts.



Bend the two arms of the straw to make a triangle.



Stick the bend straw legs and the broom stick with a piece of cello tape.



Place the triangle in water and spin the broom stick with one hand. Large chunks of water will sprinkle out from the straw cuts like a centrifuge.