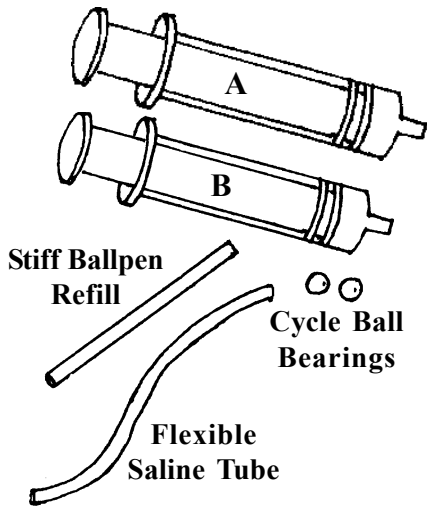
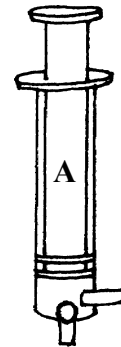


## SYRINGE PUMP

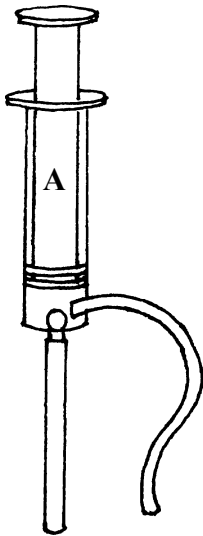
You can make a simple force pump using two plastic syringes and other common things.



1. You will need two new 10-ml plastic syringes. Two cycle ball bearings. One stiff plastic straw, refill and a flexible tube (piece of saline tube)

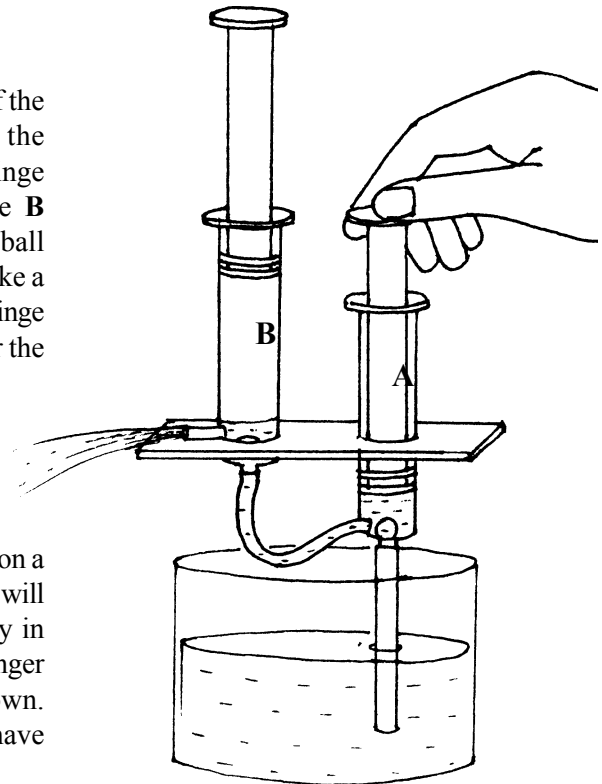


2. Remove the plunger from syringe A and insert a ball bearing. Put the plunger back. Make a small hole near the nozzle and press fit a stiff refill (you can also use M-seal or other adhesive to fix it in place.)



3. Press fit a 15-cm long tube in the nozzle of syringe A. This tube will vertically dip in the water well and suck the water up. Attach a flexible saline tube to the stiff refill.

4. Attach the other end of the flexible saline tube to the nozzle of the second syringe B. The second syringe B should also have a steel ball bearing in its nozzle. Make a hole near the nozzle of syringe B and press fit a refill for the delivery tube.



Mount both the syringes on a small wooden board. This will keep the whole assembly in place. Now move the plunger of syringe A up-and-down. After a while you will have water gushing out.